

Stand Up System with Tilt



REAC Stand Up System with Tilt is a standing support system designed to fit onto common wheelchair chassis and can be customized for different requirements.

This stand up system with tilt helps users from sitting to standing and lying positions. It also enables the user to tilt, anterior tilt and lift. To give the user the best ergonomic movement patterns the system use compensating shear reduction.

Standard features

Load capacity	160kg
Weight	38kg
Tilt angle	45 degrees
Feedback & switches	Actuators with built in limit switches for outer and inner position of seat, backrest, leg rest and tilt
Duty cycle	10%, max 2 min at continuous use followed by an 18 min rest
Connection	Cable 0,5m 2x0,75mm ² (stripped ends)
Motor	24VDC
Actuators	4
Color	Black powder coated steel RAL9005 (gloss 7-8%)

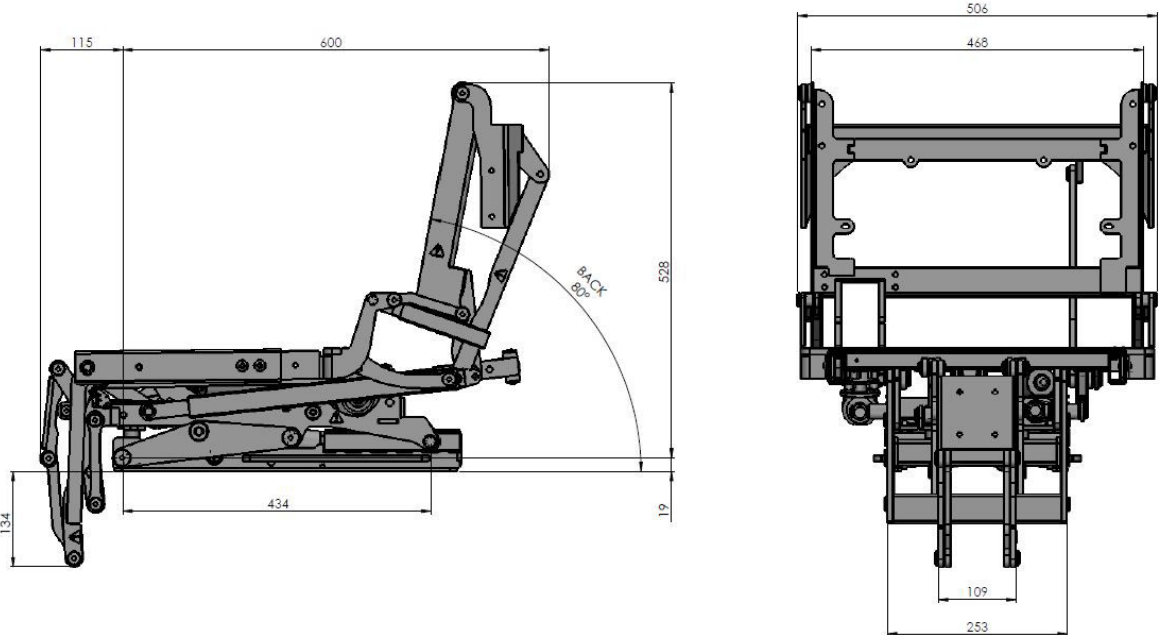
Options

Top and bottom frame	Customized
Connection	Customized
Feedback and switches	Additional limit switches on seat and leg rest for extra safety, customizations, or for drive with max speed. DigPot feedback (digital feedback) Linear potentiometer feedback (analogue)
Positions	Lift 200 mm, impact back- and leg rest

Stand Up System with Tilt

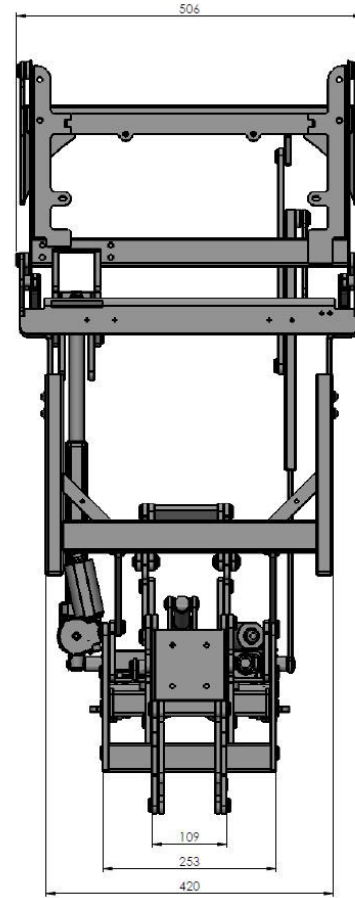
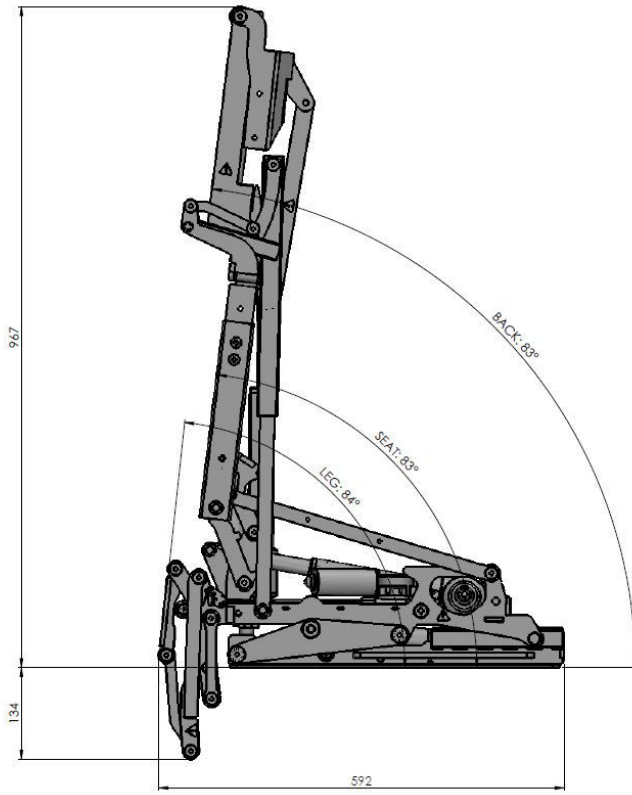
Dimensions

Seating position



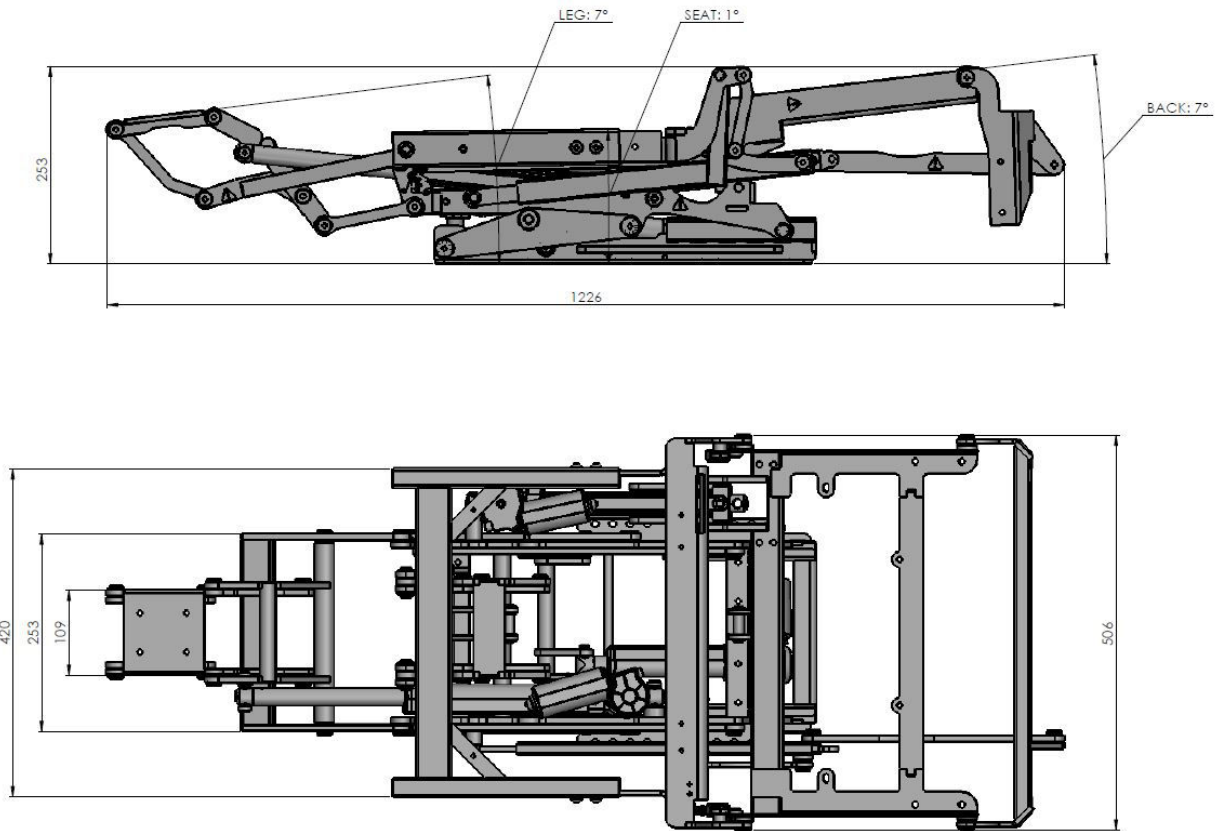
Stand up position

Stand Up System with Tilt

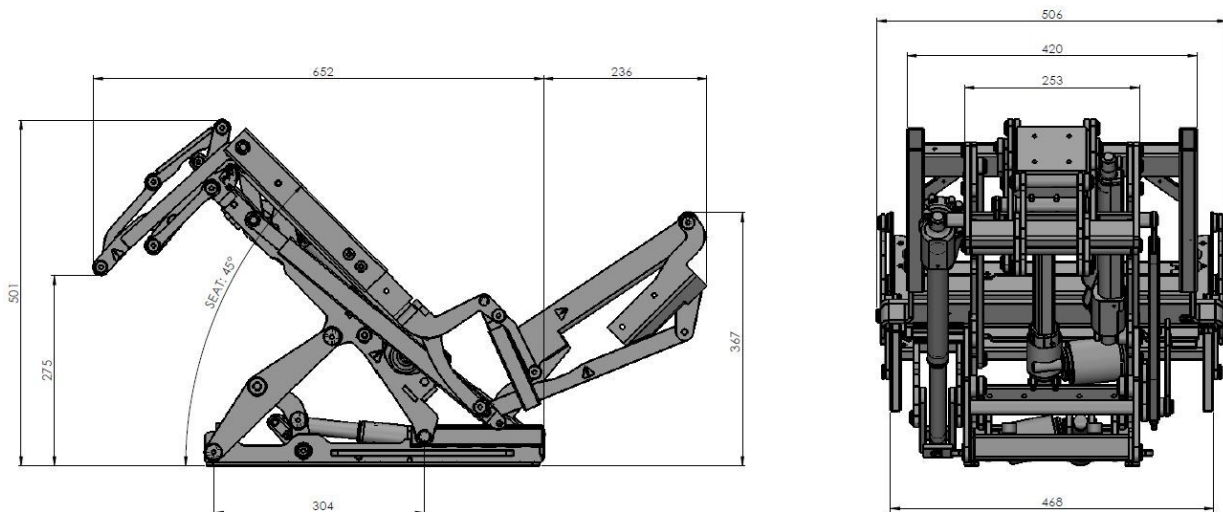


Stand Up System with Tilt

Lie down position



Tilt position



© REAC, April 2024, Issue 1.1

REAC® is continuously developing our products and can make changes without prior notice. We can't guarantee that the information stated on our webpage or in our written material always is up to date, nor can we take responsibility for any misinterpretation of our written context. Technical specification might change due to load and external circumstances. REAC products shall be tested in its intended application before use.

REAC AB
JA Wettergrens gata 7
421 30 Västra Frölunda, Sweden

REAC Poland Sp. z o.o
Ul.Metalowców 10
97-300 Piotrków Trybunalski, Poland

www.reac-group.com
E-mail: info@reac-group.com
Phone: +46 31 350 99 00