

Actuator RE3005



RE3005 is a powerful and quiet actuator designed for rehabilitation applications, but can be used also in other applications, demanding the smallest overall dimensions. The RE3005 is perfect for powered wheelchair applications.

Standard features

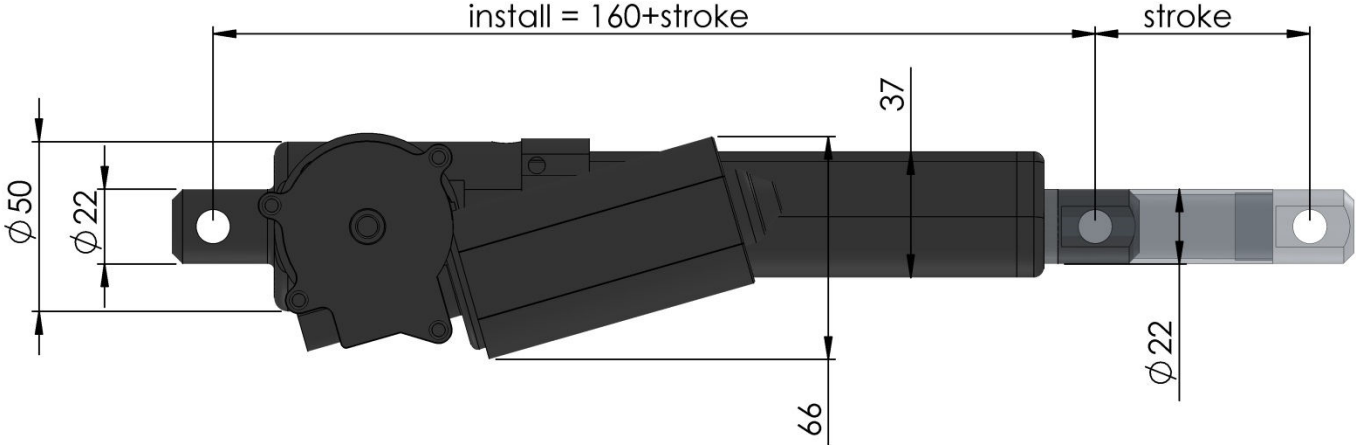
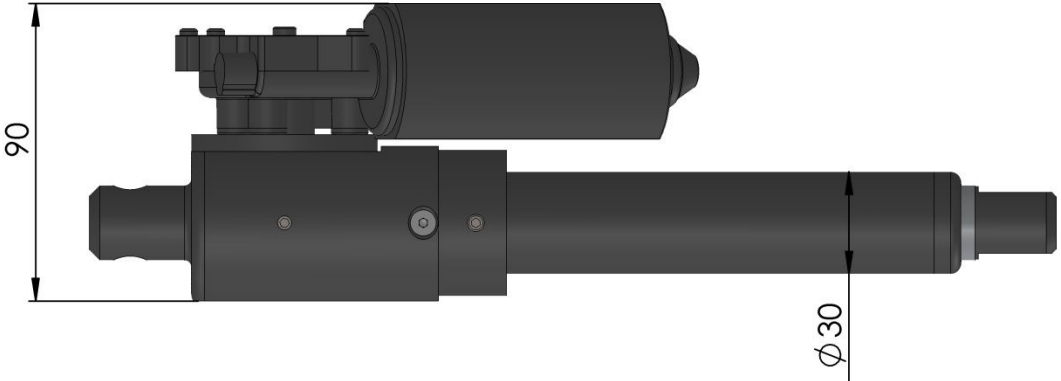
Max push force	6000N
Max pull force	6000N
Max speed (full load)	3,0 mm/s
Max speed (no load)	5,0 mm/s
Min built in length	160mm + stroke
Stroke lengths (mm)	50, 100, 150, 200, 250
IP-class	IPX1
Current consumption (full load)	5,5A
Current consumption (no load)	0,7A
Feedback & switches	Mechanical limit switch
Motor	24VDC fast or strong. Angle: 14°, 16° or 120°
Mounting brackets	cyl 10,2/12,0mm, fork 10,2mm. Angle for rear bracket: 0°, 90°
Connection	Cable 0,5m 2x0,75mm ² (stripped ends)
Operating temperature	+5° to +40°C
Storage temperature	-40° to +70°C
Housing	Steel
Piston	Stainless steel
Color	Black
Duty cycle	10%, max 2 min at continuous use followed by an 18 min rest

Options

Stroke lengths (mm)	Customizable
Protection class	-
Mounting brackets	Customizable
Connection & Cables	Customizable
Color	-
Feedback & switches	Hall sensor feedback, 1 or 2 channels Reed switch Linear potentiometer

Actuator RE3005

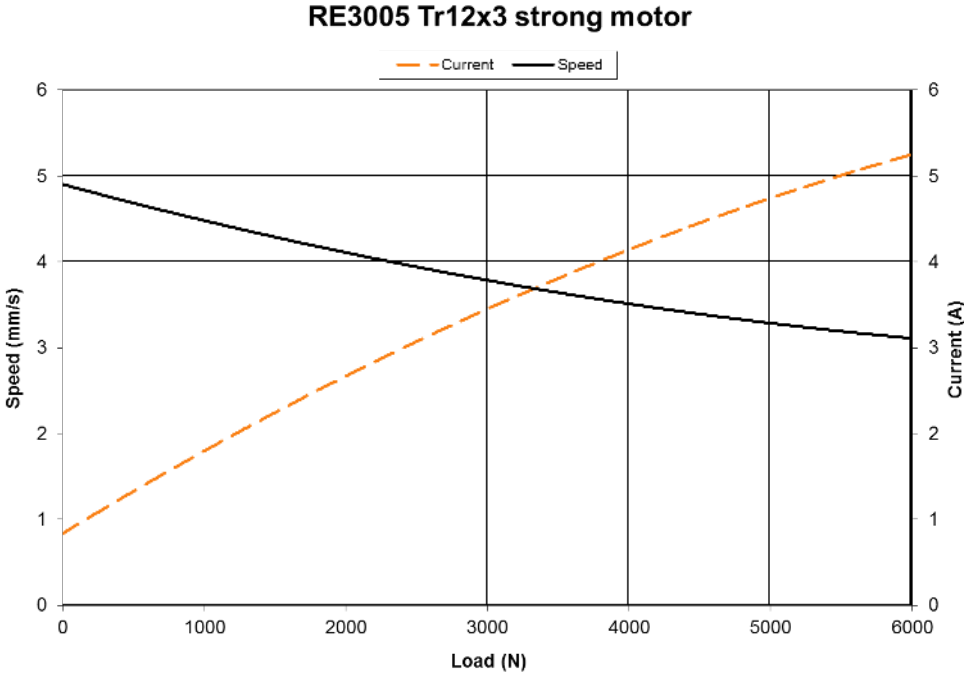
Dimensions



Performance

Chart showing force, speed and current for RE3004

Name	Max push force [N]	Speed at no load [mm/s]	Current consumption at no load [A]	Min. build-in length, excl. stroke [mm]	Max pull force [N]	Speed at max. load [mm/s]	Current consumption at max. load [A]	Stroke length std [mm]	IP class	Pitch [mm]
RE3005	6000	5	0.7	160	6000	3.0	5.5	50-250	IPX1	3



Charts show average figures for 24V actuator using stabilized power supply. All figures with ambient temperature of 20°C. Accuracy: ±5.

© REAC, September 2023, Issue 2.1

REAC is continuously developing our products and can make changes without prior notice. Therefore we can't guarantee that the information stated on our webpage or in our written material always is up to date, nor can we take responsibility for any misinterpretation of our written context. Technical specification might change due to load and external circumstances. REAC products shall be tested in its intended application before use.

REAC AB
J A Wettergrens gata 7
421 30 Västra Frölunda, Sweden

REAC Poland Sp. z o.o
Metalowców 10
97-300 Piotrków Trybunalski, Poland

www.reac-group.com
E-mail: info@reac-group.com
Phone: +46 31 350 99 00