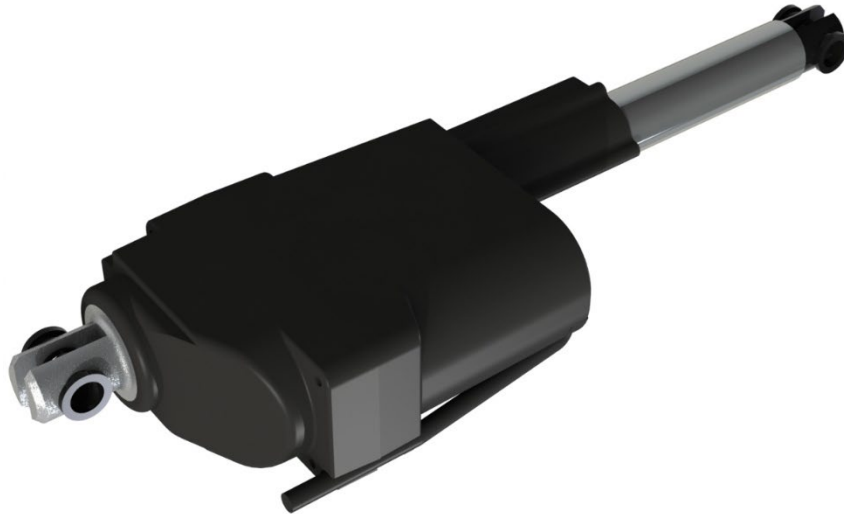


Actuator RE2000



RE2000 is a powerful and quiet actuator designed for rehabilitation applications. Ideal for other applications where small size is important.

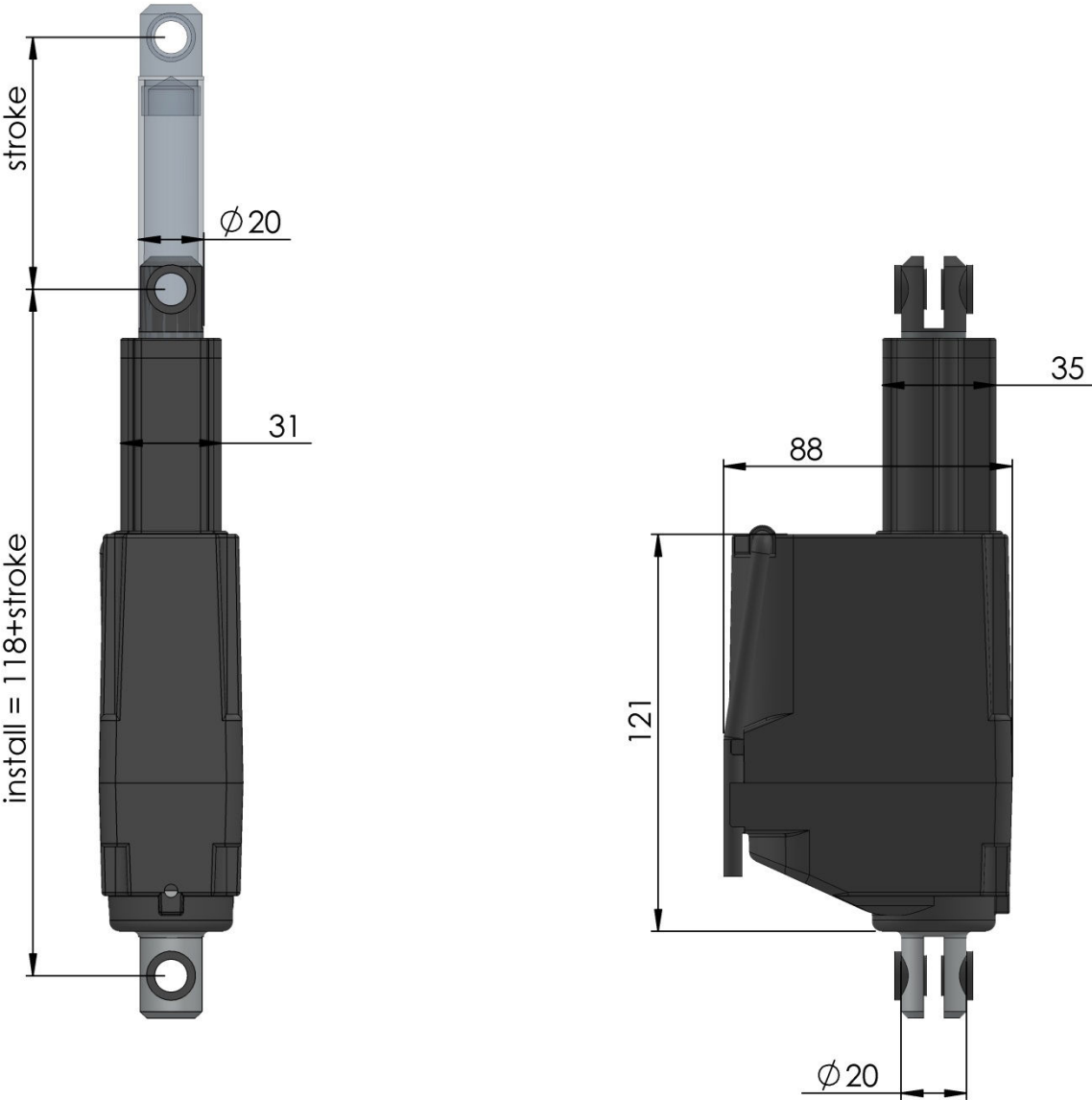
Standard features

Max push force	2500N
Max pull force	2500N
Max speed (full load)	2,3 – 3 mm/s
Max speed (no load)	4 – 5,8 mm/s
Min built in length	118mm + stroke
Stroke lengths (mm)	50, 100, 150, 200, 250
IP-class	IPX4
Current consumption (full load)	1,6 – 1,7 A
Current consumption (no load)	0,2A
Feedback & switches	Mechanical limit switch
Motor	24VDC
Mounting brackets	cyl 10/12mm, fork 10mm. Angle for rear bracket: 0°, 45°, 90°
Connection	Cable 0,5m 2x0,75mm ² (stripped ends)
Operating temperature	+5° to +40°C
Storage temperature	-40° to +70°C
Housing	Aluminum
Piston	Stainless steel
Color	Black or white
Duty cycle	10%, max 2 min at continuous use followed by an 18 min rest

Options

Stroke lengths (mm)	Customizable
Protection class	-
Mounting brackets	Customizable
Connection & Cables	Customizable
Color	Customizable
Feedback & switches	Hall sensor feedback, 2 channels Linear potentiometer

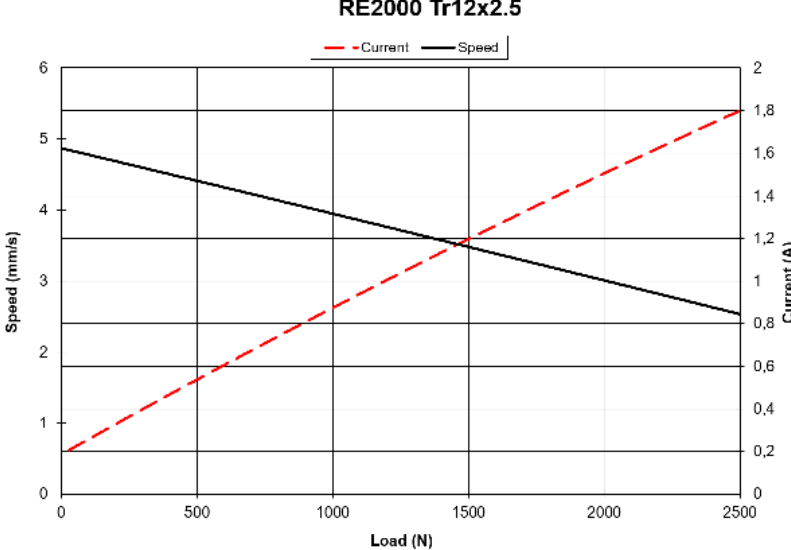
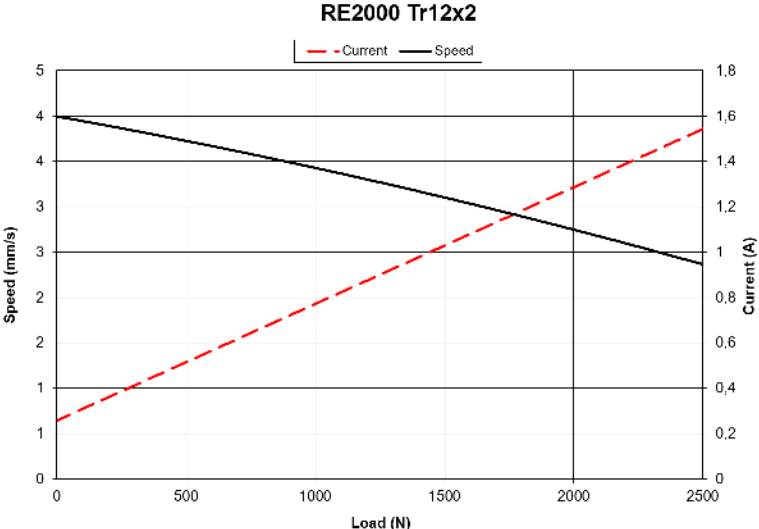
Dimensions



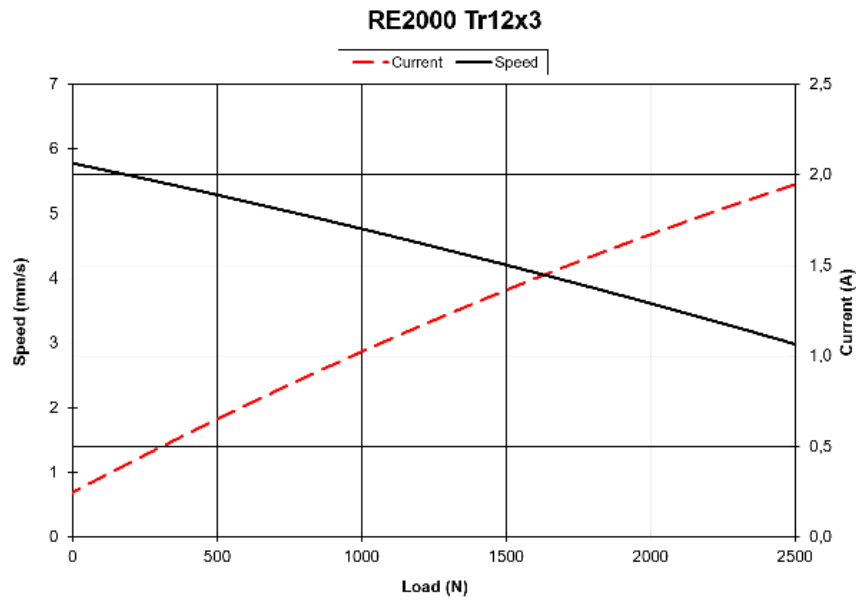
Performance

Chart showing force, speed and current for RE2000

Name	Max push force [N]	Speed at no load [mm/s]	Current consumption at no load [A]	Min. build-in length, excl. stroke [mm]	Max pull force [N]	Speed at max. load [mm/s]	Current consumption at max. load [A]	Stroke length std [mm]	IP class	Pitch [mm]
RE2000 FAST-3	2500	5.8	0.2	118	Contact REAC	2.8	2.0	50-150	IPX4	3
RE2000 STANDARD - 2.5	2500	4.8	0.2	118	Contact REAC	2.5	1.8	50-150	IPX4	2.5
RE2000 STRONG - 2	2500	4	0.2	118	Contact REAC	2.3	1.6	50-150	IPX4	2



Actuator RE2000



Charts show average figures for 24V actuator using stabilized power supply. All figures with ambient temperature of 20°C. Accuracy: ± 5 .

© REAC, March 2024, version 3.1

REAC is continuously developing our products and can make changes without prior notice. Therefore we can't guarantee that the information stated on our webpage or in our written material always is up to date, nor can we take responsibility for any misinterpretation of our written context. Technical specification might change due to load and external circumstances. REAC products shall be tested in its intended application before use.

REAC AB
J A Wettergrens gata 7
421 30 Västra Frölunda, Sweden

REAC Poland Sp. z o.o
Ul.Metalowców 10
97-300 Piotrków Trybunalski, Poland

www.reac-group.com
E-mail: info@reac-group.com
Phone: +46 31 350 99 00

