

# Power Tilt in Space - RPTS10

Specially designed for manual wheelchairs and gurney tilt motion



REAC Power Tilt in Space – RPTS10 is a drive unit for a rotating motion in e.g. manual wheelchairs or other gurney seat applications.

Together with a REAC control unit and a REAC hand control, REAC can offer a complete package that can be adapted to wheelchairs and other seating functions in need of a tilting/rocking motion.

**Standard features**

Operating voltage	24 VDC
Current consumption (Max load)	4 A
Current consumption (No load)	1.5 A
Maximum capacity at drive junction	500 N
Tilting angle	0 ° - 50 °
Speed at max force	22 mm/s
IP-class	IPX1
Duty cycle	10%
Weight	3.5 kg
Operating temperature	-15 °C to +50 °C
Storage temperature	-25 °C to +70 °C
Gear release mechanism	Manual spring device
Colour	Black (RAL 9005)
Surface treatment	Electro coated
Mounting interface	Designed in cooperation with customer.

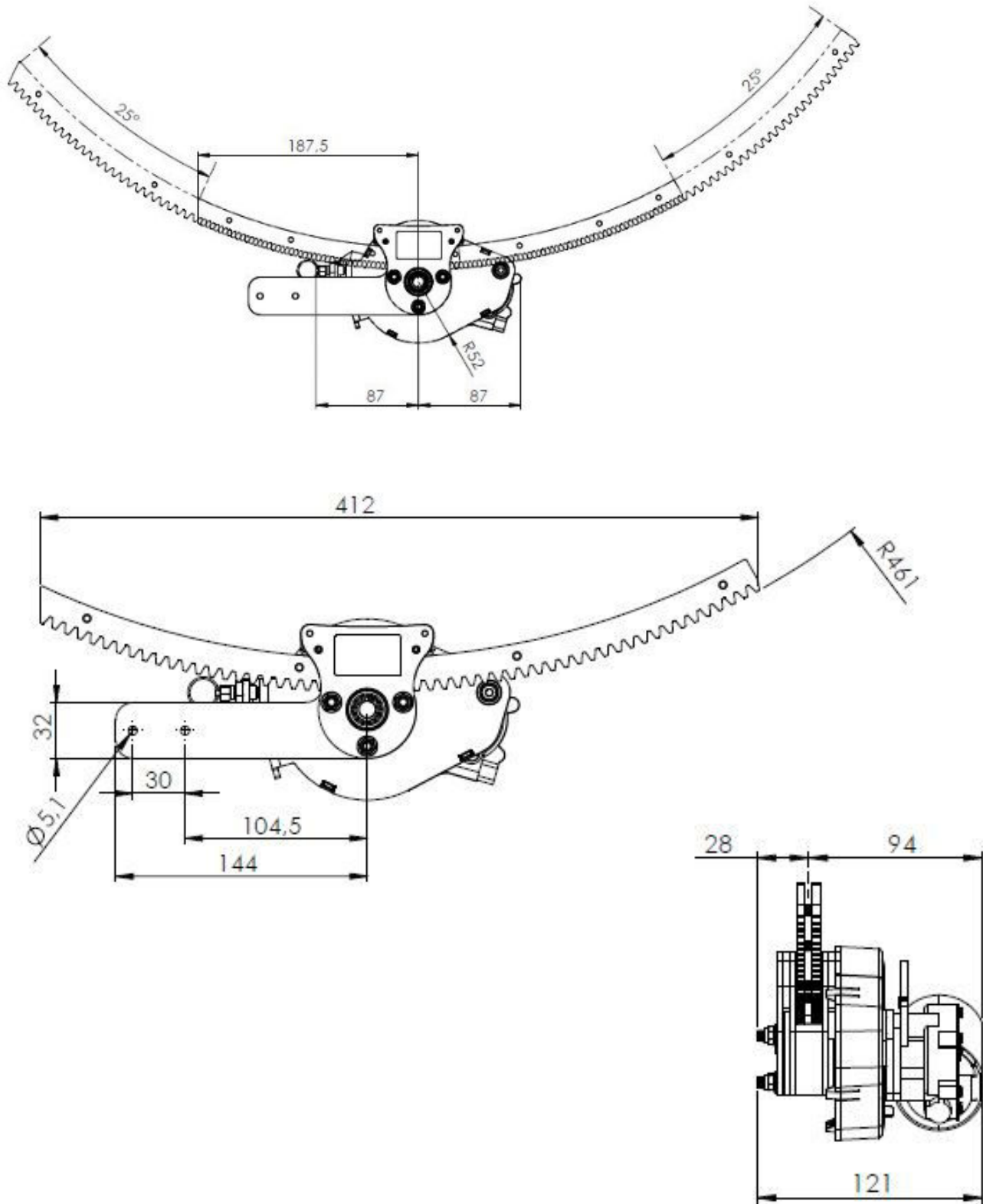
**Options**

IP-class	IPX4
----------	------

**Accessories**

RCB10	REAC control unit
RCB11	REAC control unit
RCB12	REAC control unit
RHC10	REAC hand control
RHC11	REAC toggle switch
RHC12	REAC general switch interface

## Dimensions



© REAC, March 2024, Issue 2.1

REAC is continuously developing our products and can make changes without prior notice. We can't guarantee that the information stated on our webpage or in our written material always is up to date, nor can we take responsibility for any misinterpretation of our written context. Technical specification might change due to load and external circumstances. REAC products shall be tested in its intended application before use.

Head Office:  
REAC AB  
J A Wettergrens gata 7  
421 30 Västra Frölunda, Sweden  
Phone: +46 (0)31 350 99 00

Production facilities in Poland:  
REAC Poland Sp. z o.o  
Ul. Metalowców 10  
97-300 Piotrków Trybunalski, Poland

www.reac-group.com  
E-mail: [info@reac-group.com](mailto:info@reac-group.com)  
Phone: +46 31 350 99 00