

Anterior Tilt system



The REAC Anterior Tilt system is used for changing tilt angle in both directions (forwards and backwards). The system has also an additional lifting function. By applying both tilt functions at the same time, the seat is lifted vertically 202mm.

The REAC Anterior Tilt is based on a unique mechanism designed for powered wheelchairs and other rehab industry devices. It combines the functionality of a typical tilt system with a forward tilt system, making it easier for the user to get out of the seat.

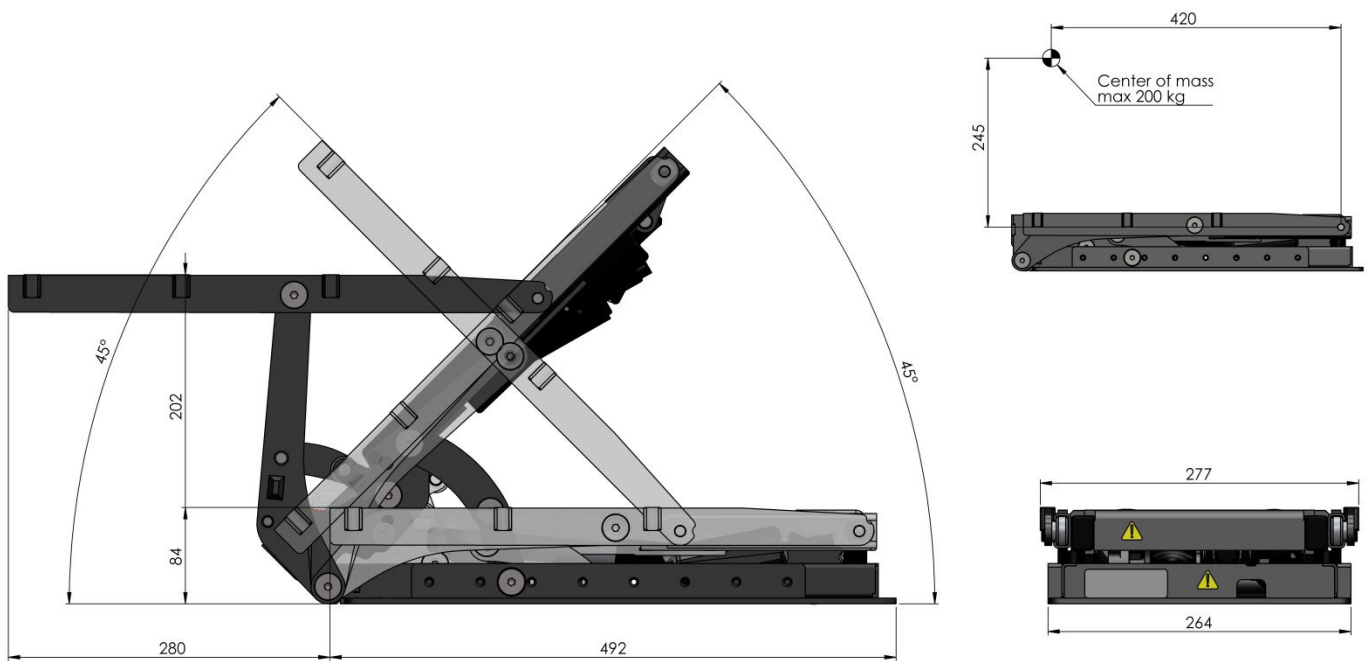
The system has an exceptionally robust construction, giving the flexibility to place seat more forward than in other comparable systems. It is possible to modify the upper and lower frames independently, depending on customer needs.

Standard features

Load capacity	200kg
Lifting height	202 mm
Min install height	84 mm
Install width	263,5 mm
Install length	510 mm
Max tilting/ anterior angle	-45°/ +45°
Weight	18kg
Lifting speed	4 – 10mm/s
Tilting speed	0,9 – 2,4 °/s
Motor	24VDC
Protection class	IP41

The system can be adjusted according to different needs and applications. Therefore the data in the table above are indicative. We are happy to offer you a system according to your specification.

Dimensions



Anterior Tilt system

© REAC, August 2023, Issue 1.1

REAC is continuously developing our products and can make changes without prior notice. Therefore we can't guarantee that the information stated on our webpage or in our written material always is up to date, nor can we take responsibility for any misinterpretation of our written context. Technical specification might change due to load and external circumstances. REAC products shall be tested in its intended application before use.

REAC AB
J A Wettergrens gata 7
421 30 Västra Frölunda, Sweden

REAC Poland Sp. z o.o
Ul.Metalowców 10
97-300 Piotrków Trybunalski, Poland

www.reac-group.com
E-mail: info@reac-group.com
Phone: +46 31 350 99 00