

## Actuator RE25



RE25 is with its flexible and compact design suitable for many different applications. The materials used in the RE25 actuator are anodized aluminum, painted steel and plastic.

**Standard features**

Max push force	2300N – 5000N
Max pull force	Contact REAC for more information
Max speed (full load)	4,0 – 12,0 mm/s
Max speed (no load)	6 - 17 mm/s
Min built in length	110mm + stroke
Stroke lengths (mm)	50, 100, 150, 200, 250
IP-class	IPX1
Current consumption (full load)	6,0A – 8,0A
Current consumption (no load)	2,5A – 3,0A
Feedback & switches	-
Motor	24VDC standard or strong Motor angle: 360° step less rotation Motor cover: Plastic
Mounting brackets	cyl 10,1/12,1/13,1mm, fork 10mm
Connection	Cable 0,5m 2x0,75mm <sup>2</sup> (stripped ends)
Operating temperature	-25° to +65°C
Storage temperature	-40° to +85°C
Housing	Aluminum
Piston	Stainless steel
Color	Black
Duty cycle	10%, max 2 min at continuous use followed by an 18 min rest

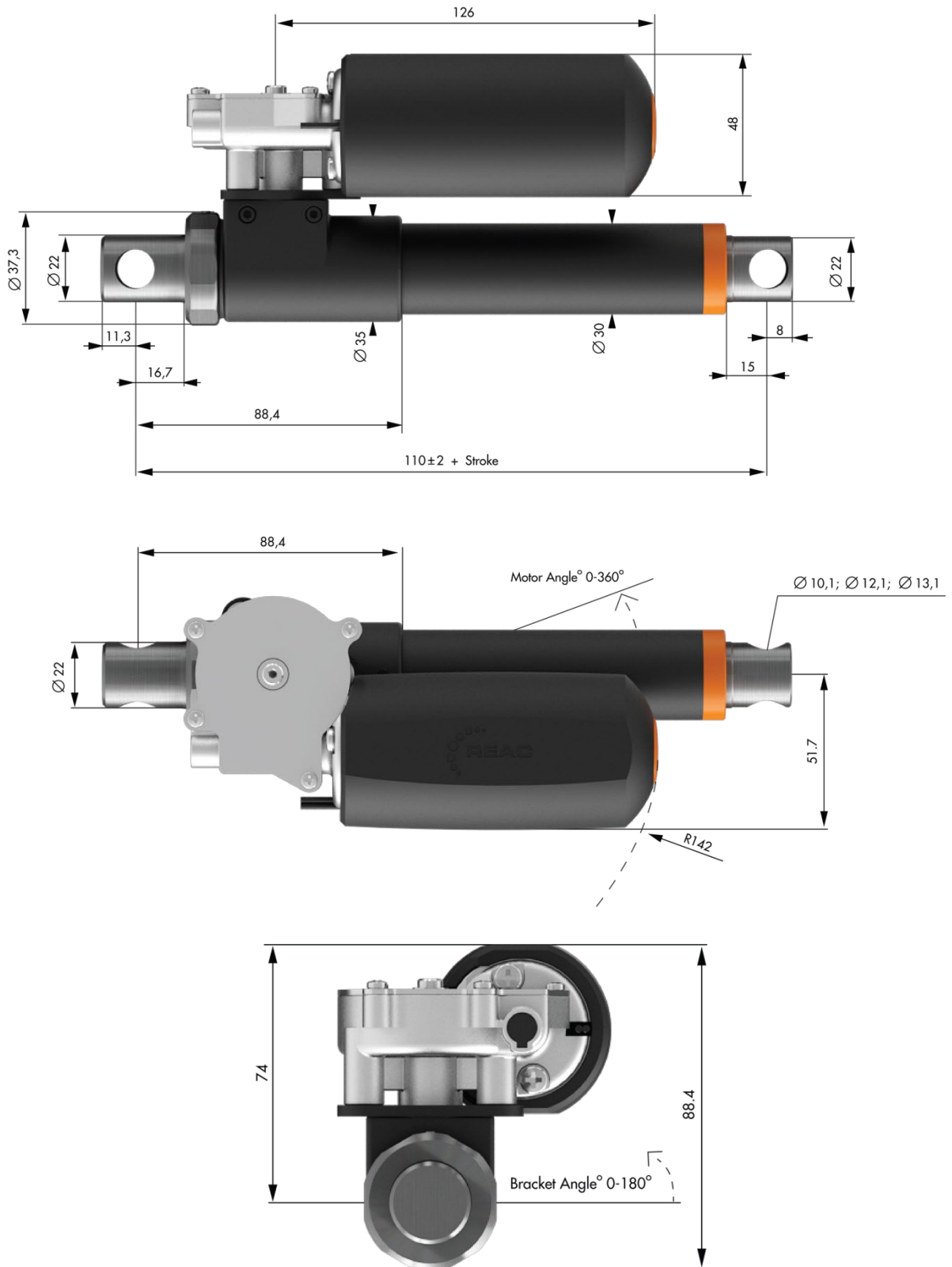
**Options**

Stroke lengths (mm)	Customizable
IP-class	IPX4
Mounting brackets	Customizable
Connection & Cables	Customizable
Color	Customizable
Feedback & switches	Optical sensor encoder Hall sensor feedback, 1 or 2 channels Multi turn potentiometer DigPot
Motor	12VDC

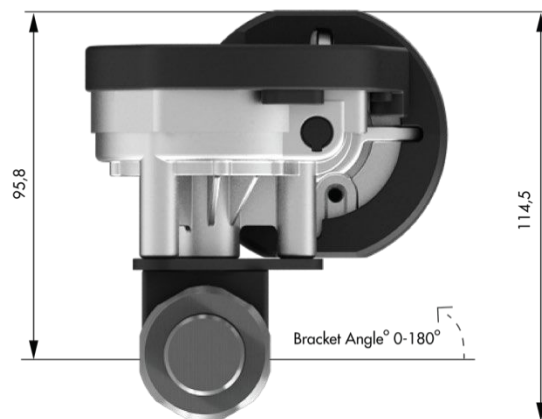
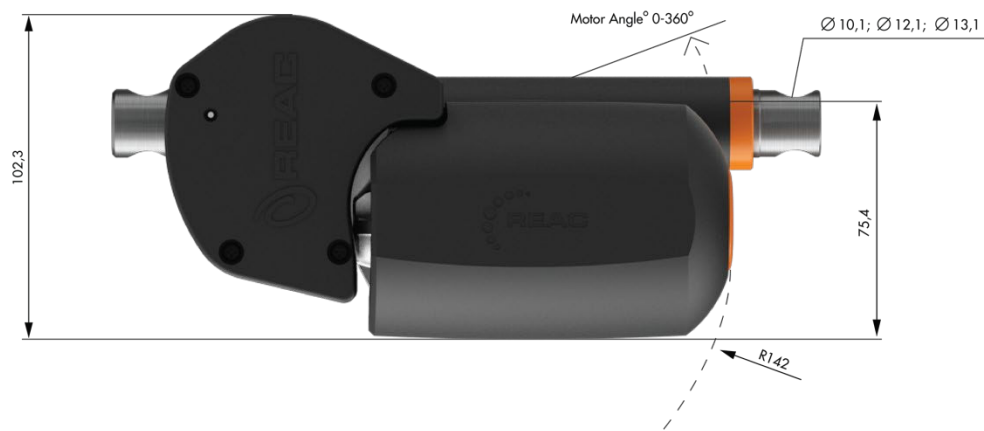
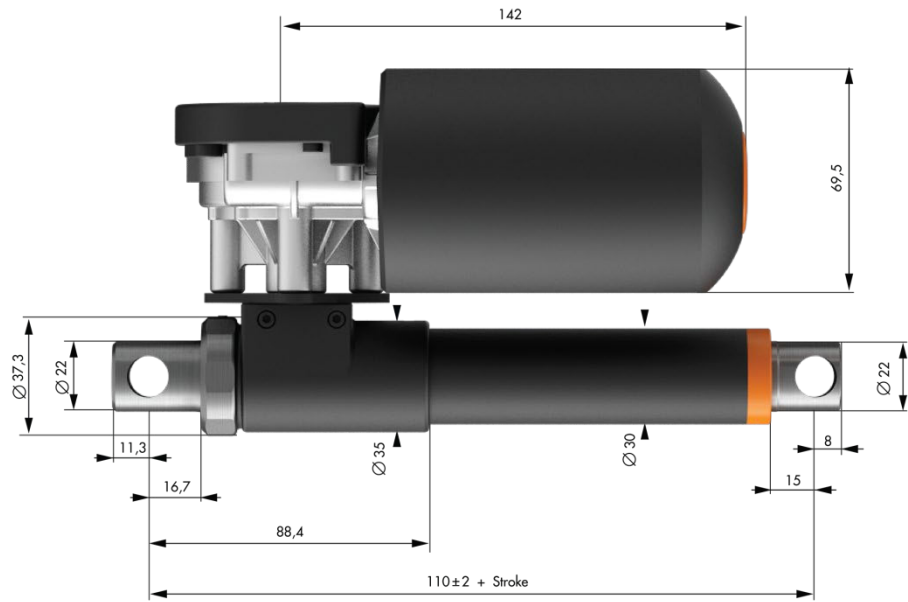
# Actuator RE25

## Dimensions

### Standard motor IPX1

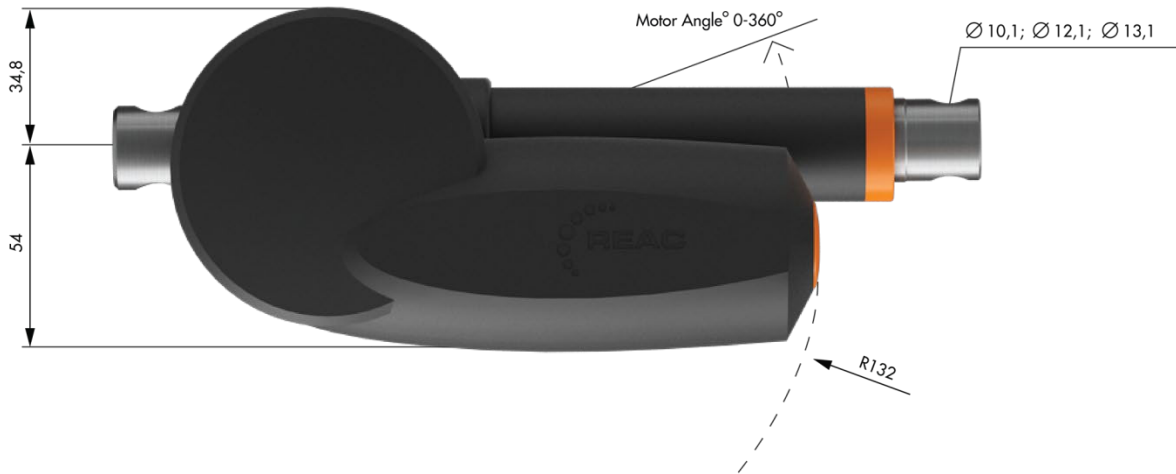
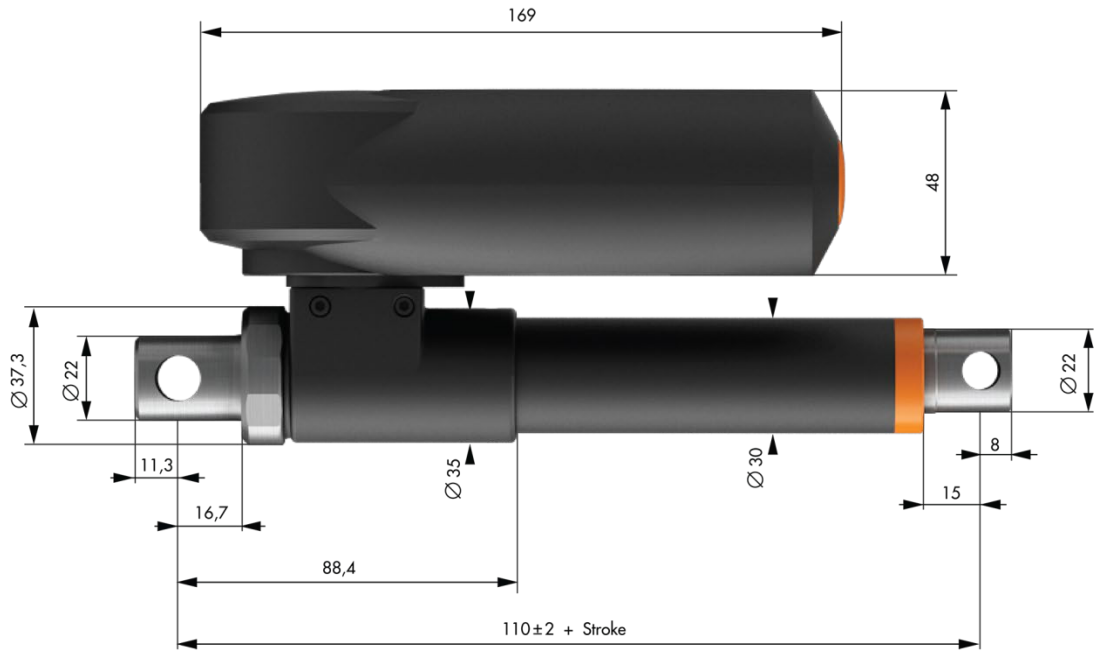


Strong motor IPX1

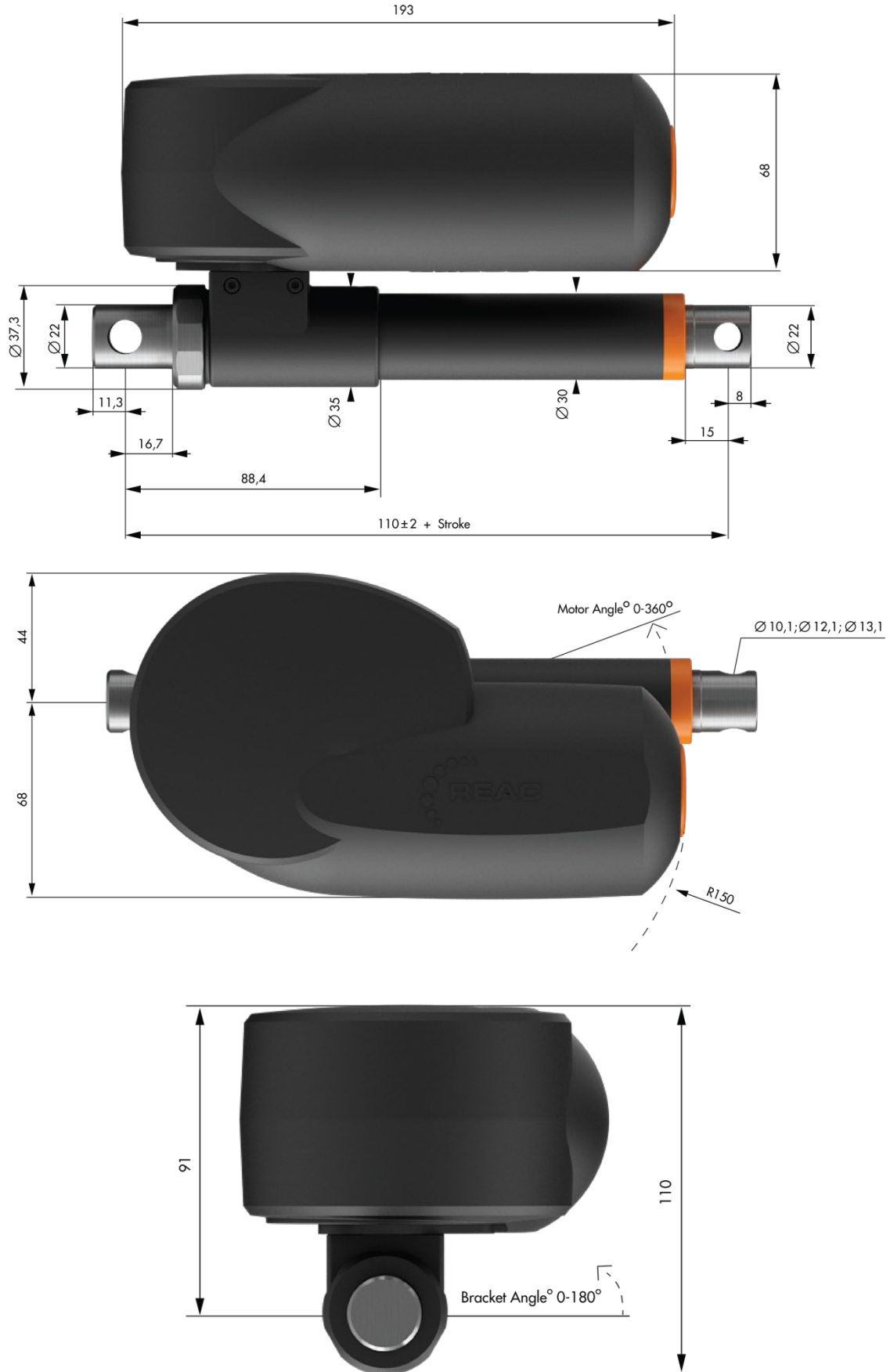


# Actuator RE25

## Standard motor IPX4



Strong motor IPX4



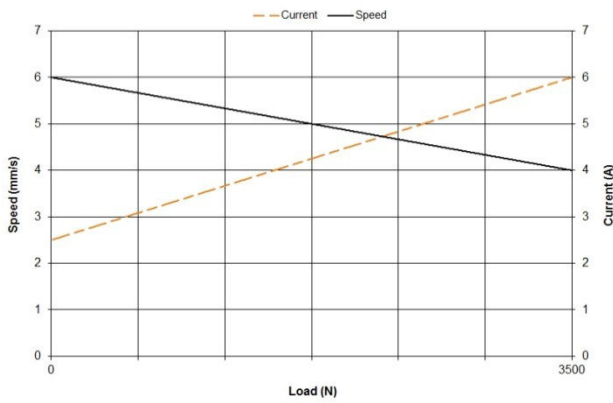
# Actuator RE25

## Performance

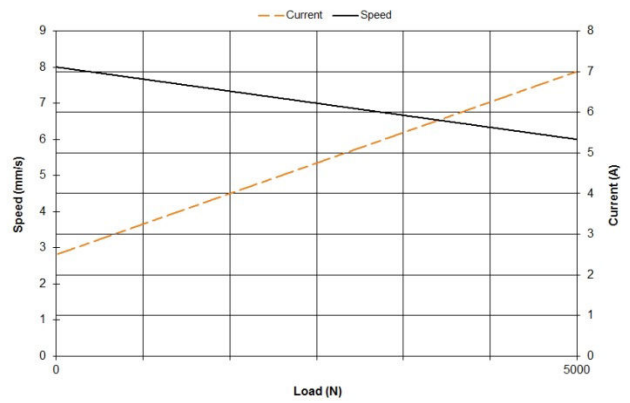
Chart showing force, speed and current for RE25

Name	Max push force [N]	Speed at no load [mm/s]	Current consumption at no load [A]	Min. build-in length, excl. stroke [mm]	Max pull force [N]	Speed at max. load [mm/s]	Current consumption at max. load [A]	Stroke length std [mm]	IP class	Pitch [mm]
RE25	2300	13	3	110	Contact REAC for more information	8.5	6.0	50-250	IPX1 - IPX4	8
RE25 STD - 3	3500	6	2.5	110	Contact REAC	4.0	6.0	50-250	IPX1 - IPX4	3
RE25 STD - 4	3200	8	2.5	110	Contact REAC	4.2	6.8	50-250	IPX1 - IPX4	4
RE25 STD - 6	2700	11	3	110	Contact REAC	8.0	5.5	50-250	IPX1 - IPX4	6
RE25 STRONG - 3	5000	6	2.5	110	Contact REAC	6.0	7.0	50-250	IPX1 - IPX4	3
RE25 STRONG - 4	4000	11	3	110	Contact REAC	8.0	8.0	50-250	IPX1 - IPX4	4
RE25 STRONG - 6	3000	17	3	110	Contact REAC	12.0	6.0	50-250	IPX1 - IPX4	6

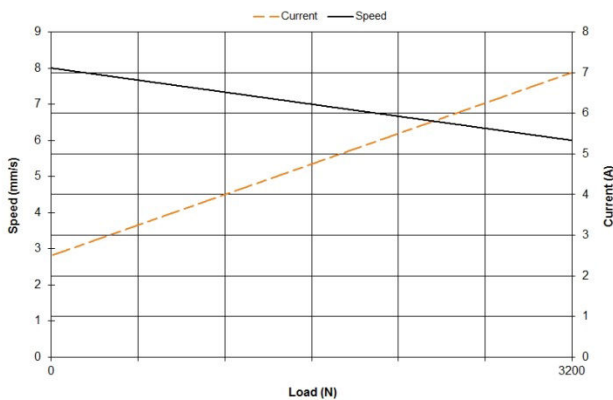
RE25.3 Standard motor



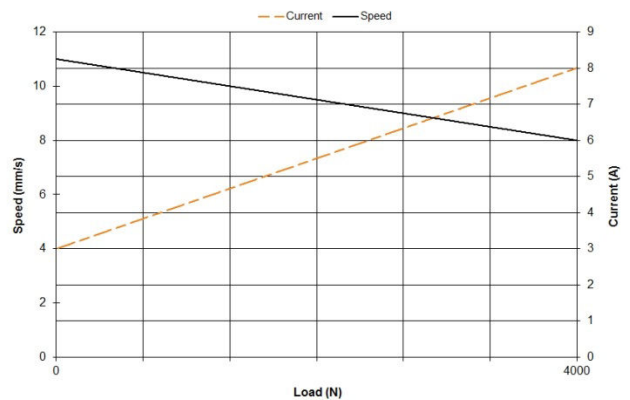
RE25.3 Strong motor



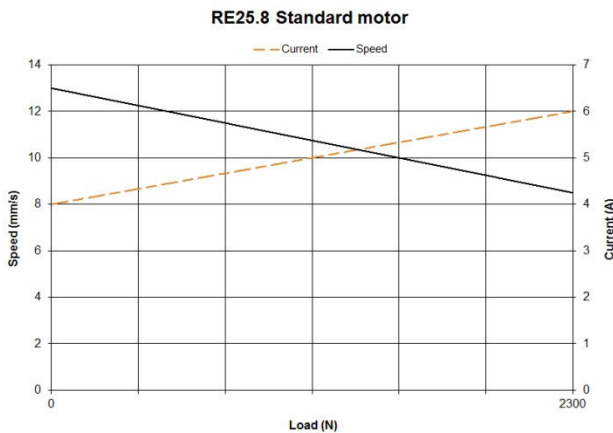
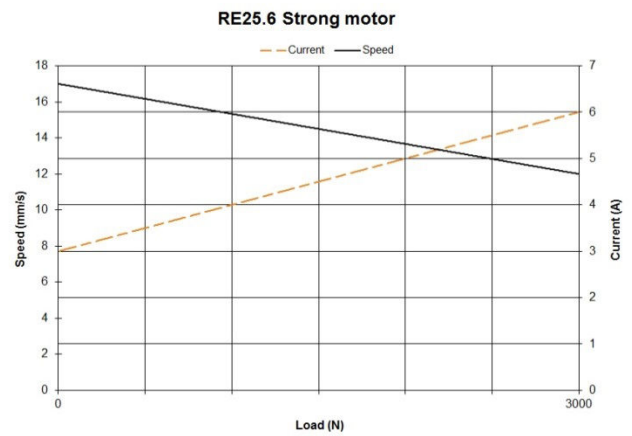
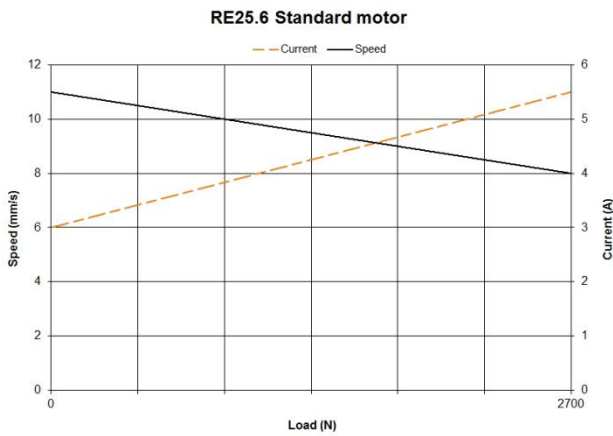
RE25.4 Standard motor



RE25.4 Strong motor



Charts show average figures for 24V actuator using stabilized power supply. All figures with ambient temperature of 20°C. Accuracy: ±5.



Charts show average figures for 24V actuator using stabilized power supply. All figures with ambient temperature of 20°C. Accuracy: ±5.

© REAC, October 2023, Issue 1.1

REAC is continuously developing our products and can make changes without prior notice. Therefore we can't guarantee that the information stated on our webpage or in our written material always is up to date, nor can we take responsibility for any misinterpretation of our written context. Technical specification might change due to load and external circumstances. REAC products shall be tested in its intended application before use.

REAC AB  
J A Wettergrens gata 7  
421 30 Västra Frölunda, Sweden

REAC Poland Sp. z o.o  
Metalowców 10  
97-300 Piotrków Trybunalski, Poland

www.reac-group.com  
E-mail: info@reac-group.com  
Phone: +46 31 350 99 00